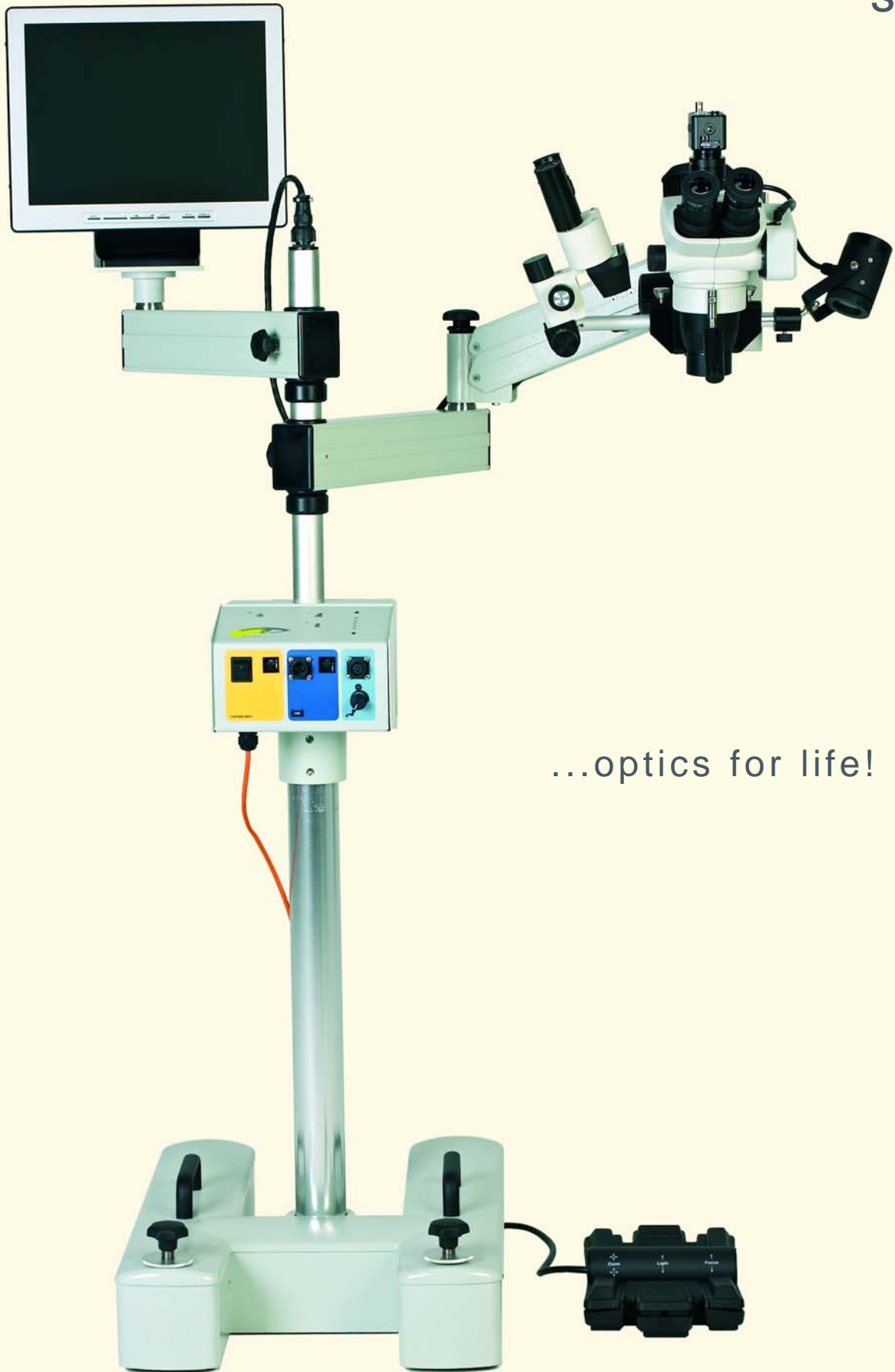


# SO-5000W

Series



...optics for life!

SO-5000W Series - Ophthalmic microscopes





The SO-5000W microscope is adaptable for different surgical needs without compromise to performance.

The microscope provides extremely high optical image quality, good depth of focus and a wide field of view for precise surgery. Foot controls of focus, of continuous zoom magnification and of light intensity to help reduce the surgeon's workload. Inbuilt tilt adjustment of the optical head allows comfortable use over long periods.

The microscope can be operated from the mains power from 110, 200 - 260V AC or from a 12V DC battery. It is protected against mould and rust to minimise the need for servicing.



The SO-5600W microscope is designed for teaching and demonstration of surgery.

The microscope has an integrated coaxial video system including beam splitter, camera and monitor.

The monitor is mounted on an arm attached to the microscope for convenient viewing in the operating room.

The entire system, including the video camera can be operated from either mains power or 12V DC battery.

The microscope is also supplied with a binocular assistant microscope for teaching.



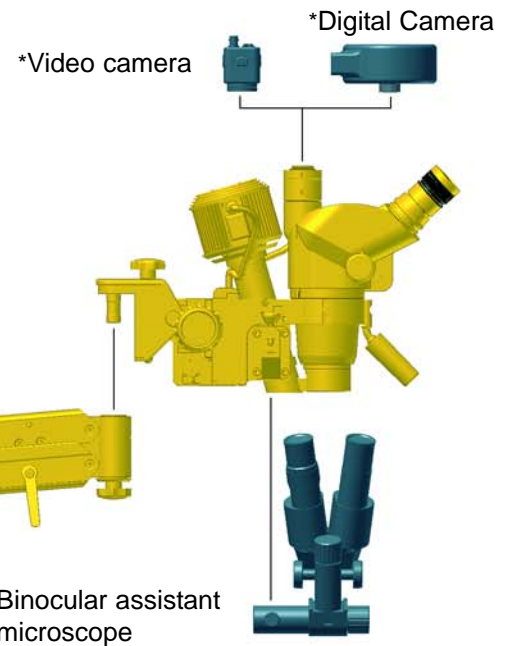
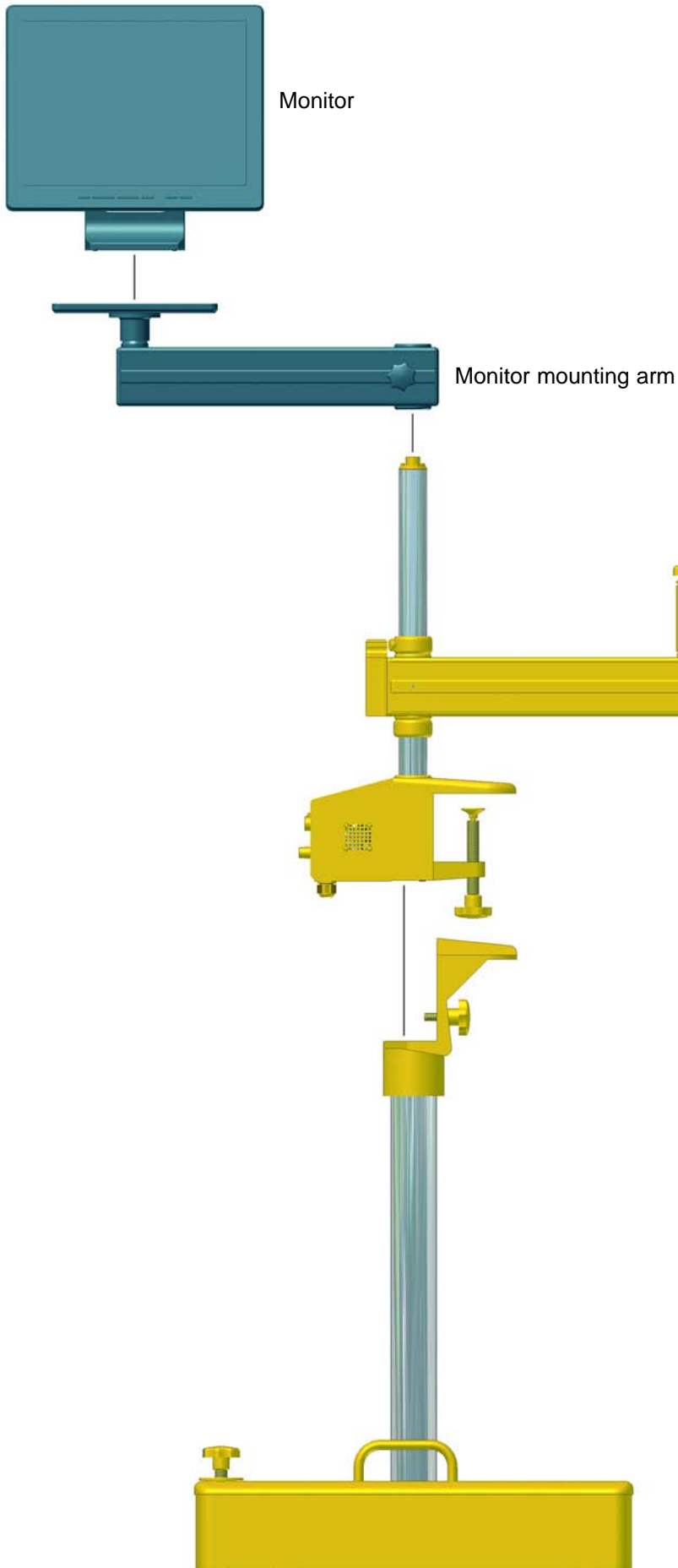
The SO-5100W model is supplied without the floor stand, for table or wall mounting.

This allows the microscope to be easily moved from one location to another. The SO-5100W microscope also saves space in the operating room.

The coaxial video systems (must be specified at time of purchase) and assistant microscope can be fitted as optional accessories to this microscope.

Additional optional accessories include:

- wheeled nylon case or robust aluminium transit case
- wall mount



The SO-5000W Series is a modular system which allows you to choose the microscope and accessories that are most appropriate for you. The SO-5000W microscopes all have foot controls for focus, zoom magnification and light intensity and both main coaxial and high intensity auxiliary lights. The SO-5000W microscopes are suitable for teaching purposes, for regular operating room use, and for field work.

## SO-5000W Series Ophthalmic microscopes



# SPECIFICATIONS : SO-5000W Series

## OPTICAL HEAD

### Viewing System:

Binocular, stereoscopic, convergent angle 10° for viewing comfort  
Image erection by high resolution prism system

### Eyepieces:

Tube inclination 45°  
High field number 22 for wide field of view  
High eye relief 24.6mm and reversible eye cups for ease of use by spectacle wearers

### Magnification:

Zoom, 4.2x to 25x continuous

### Working Distance:

180mm (7") from auxiliary objective

### Field of View:

53 to 9mm depending on the magnification

### Refractive Correction:

By focussing and +5D left eyepiece for anisometropia

### Pupillary Distance:

50 to 70mm, eyepiece tubes interlocked for ease of adjustment

### Focussing:

Fine focus range ±25mm

### Mould Protection:

Anti-fungus pellets (three year protection) standard

### Foot Controls:

Focus and zoom controls (variable speed)  
Light intensity IP67 rated (full immersion) sealed switches  
Manual knob controls remain available

## ILLUMINATION

### Main Light:

Coaxial, direct optical delivery system  
12V 50W quartz halogen, rapid change  
Internal UV and IR filters

### Auxiliary Light:

12V 20W quartz halogen  
Dichroic cold reflector and UV filter

### Intensity Control:

Five step, standby control to select previous settings

## POWER SUPPLY

### Control:

Touch panel for low contamination risk

### Main Input:

110, 200-260V AC, 47 to 440Hz, universal input  
5 metre cable, most earthed mains plug types available

### Battery Input:

12V DC, 5 metre cable with battery clips (supplied)  
Automatic battery cut-in if mains power fails

### Circuit Breakers:

External resettable circuit breakers on mains and battery supply

### Electrical Approvals:

IEC 60601-1, 60601-1-2



SCANOPTICS

### Scan Optics

32 Stirling Street, Thebarton SA 5031  
Adelaide, Australia

Tel: 61 (8) 8234 9120 Fax: 61 (8) 8234 9417

E-mail: [admin@scanoptics.com.au](mailto:admin@scanoptics.com.au)

Web site: [www.scanoptics.com.au](http://www.scanoptics.com.au)

Specifications subject to change without notice

## MOUNTING SYSTEM

### Arm:

Elbow and angle-poise movement, variable friction locks

### Head Tilt:

+5° to -45°

### Vertical Tension:

Adjustable gas spring to set lifting force

### Dimensions:

Vertical pillar to head optical axis, maximum 930mm (37")  
Head vertical movement 320mm (13")

### Materials:

Specially selected to prevent rust and corrosion

## VIDEO SYSTEM

### Type:

Watec Wat-221S CCD Colour Camera

### System:

PAL or NTSC

### Pick-up Element:

1/2 CCD image sensor

### Lens mount:

CS Mount

### Horizontal Resolution:

More than 420 TV lines

### Total Picture Elements:

795 (H) x 596 (V)

### Scanning System:

2:1 interlaced

### Power Supply:

+12V DC +/- 10%, 160mA

## MONITOR

### Type:

HCP-15W/D/P/S 01TFT LCD Monitor

### Screen:

TFT Active Matrix LCD Monitor  
Screen size 381mm orthogonal (15")  
Pixel pitch 0.297(H) x 0.297(V)mm  
Max resolution VGA/DVI 1024 x 768  
Max resolution video 500TVL

### Options:

Smaller 162mm (6.4") screen available on request

### Power Requirements:

12V DC 40W (Mains power adaptor supplied)

### Dimensions:

352.2 x 338.0 x 170.0mm (14" x 13" x 6.6") (W x H x D)

### Weight:

N.W 4.0kg (adaptor included) G.W 5.4kg (11.9lb)

## PACKAGING

### Cartons:

Microscope: 790 x 560 x 340mm (31" x 22" x 17.5"), 32kg (70lb)  
Floorstand: 790 x 560 x 340mm (31" x 22" x 17.5"), 44kg (96.8lb)  
Video system: 710 x 560 x 300mm (28" x 22" x 12"), 8kg (17.6lb)

### Options:

Heavy duty wheeled nylon case, 9kg (20lb)  
Robust aluminium transit case, 12kg (26.4lb)



Quality  
Endorsed  
Company  
Certified to  
ISO 9001

Lic.No. 10722