



POPPY 3

Description:

- Rotating table top for three instruments.
- Range of chair up & down movement of 150 mm.
- Range of table top up & down movement of 100 mm (option).
- Automatic power control with power only to the instrument at patient position.
- Two control panels for easier access to functions.

Options:

- Up & down movement of the table top for examination of wheelchair patient, table top rotation electrically controlled,
- left version, phoropter arm, projector shelf, projector arm,
- electrical movement of the chair back & forth, chin rest adapter mounted to the table top, additional desk.



Technical features:

Angle of table top arm rotation	90 deg
Loading capacity	90 kg
Halogen lamp on the column	2 x 20 W
Weight (w/o chair)	160 kg
Voltage (standard)	230V / 50Hz
Maximum power consumption	600 VA

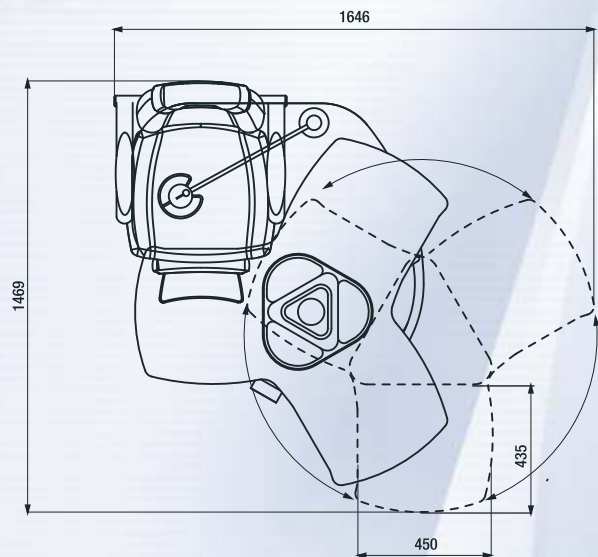
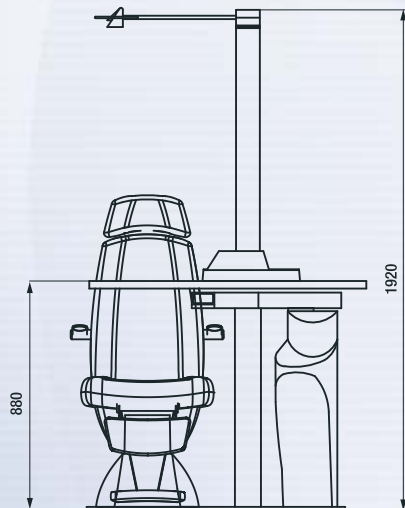


Ophthalmic Unit

POPPY 3



www.optopol.com



Local Distributor

