



# DAISY Compact



**Description:**

Sliding table top for two instruments.  
Security protection of patient's legs.  
Range of chair up & down movement of 150 mm.

**Options:**

Left version, phoropter arm, projector shelf, projector arm, chin rest adapter mounted to the frame, chin rest adapter mounted to the table top, cable carrier 230 V.

**Technical features**

Angle of table top arm rotation	90 deg
Loading capacity	50 kg
Halogen lamp on the column	1 x 35 W
Weight (w/o chair)	180 kg
Voltage (standard)	230V / 50Hz
Maximum power consumption	400 VA



Ophthalmic Unit

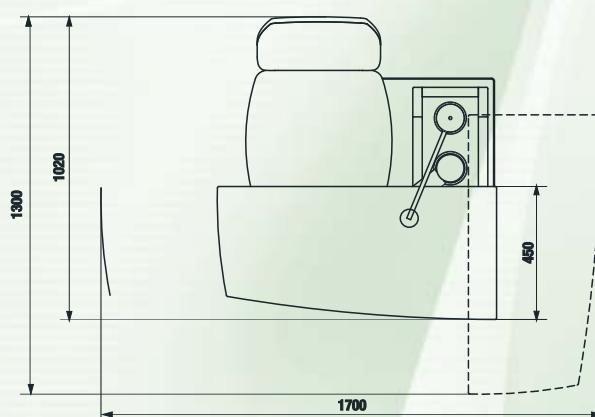
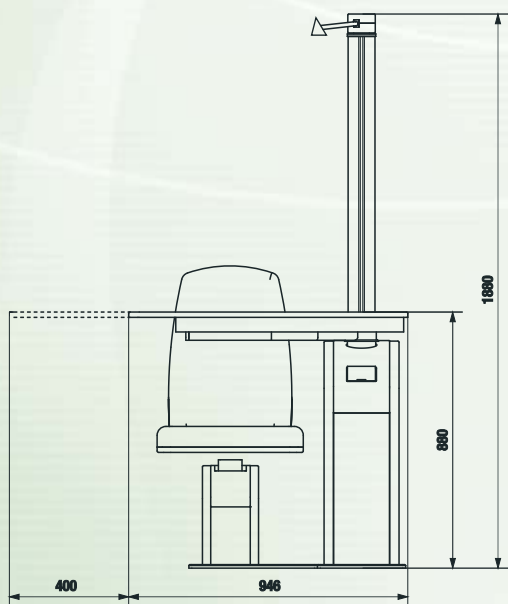
# DAISY Compact

patient chair  
up&down

movement controlled by footswitch



www.optopol.com



Local Distributor

